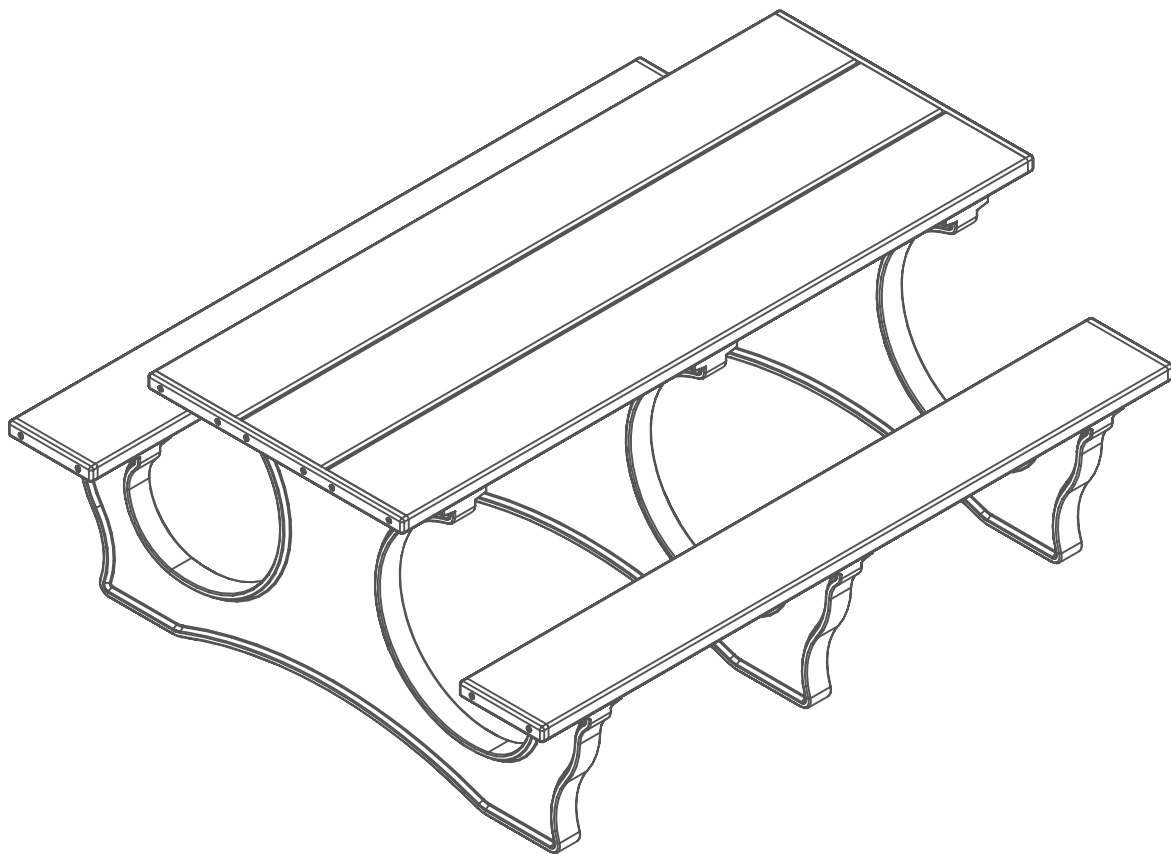


# Polly Tuff Easy Access Picnic Table

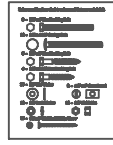
For Fastener Pack  
(FP-PTEA6-CU-01)



Congratulations !!

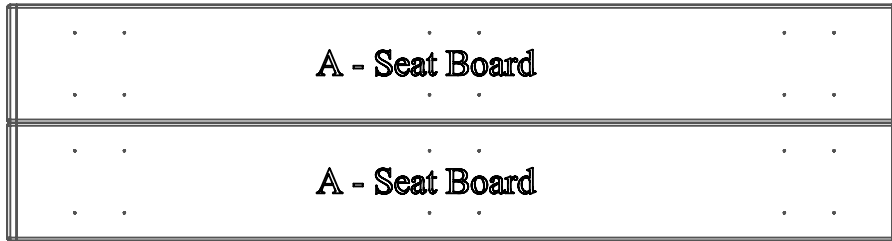
You have just purchased the finest recycled plastic  
picnic table available. Enjoy !!!

Before assembly, please check to make sure all components are included.

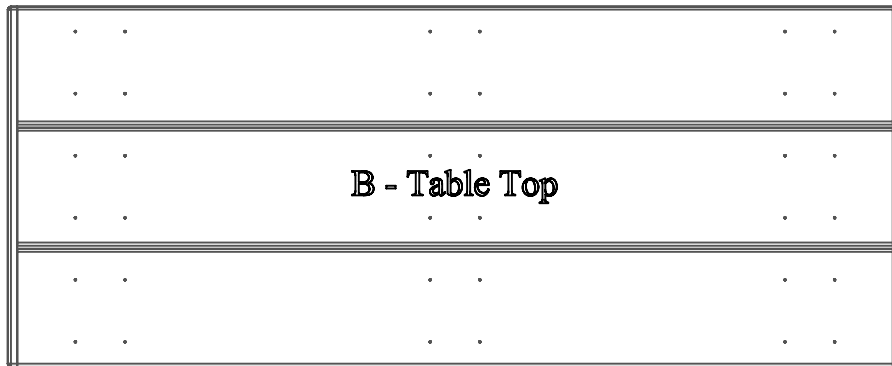


( 1 ) - One Fastener Pack  
FP-PTEA6-CU-01

FP - Fastener Pack



( 2 ) - Two Seat Boards  
STSA-EA6HA-A-01

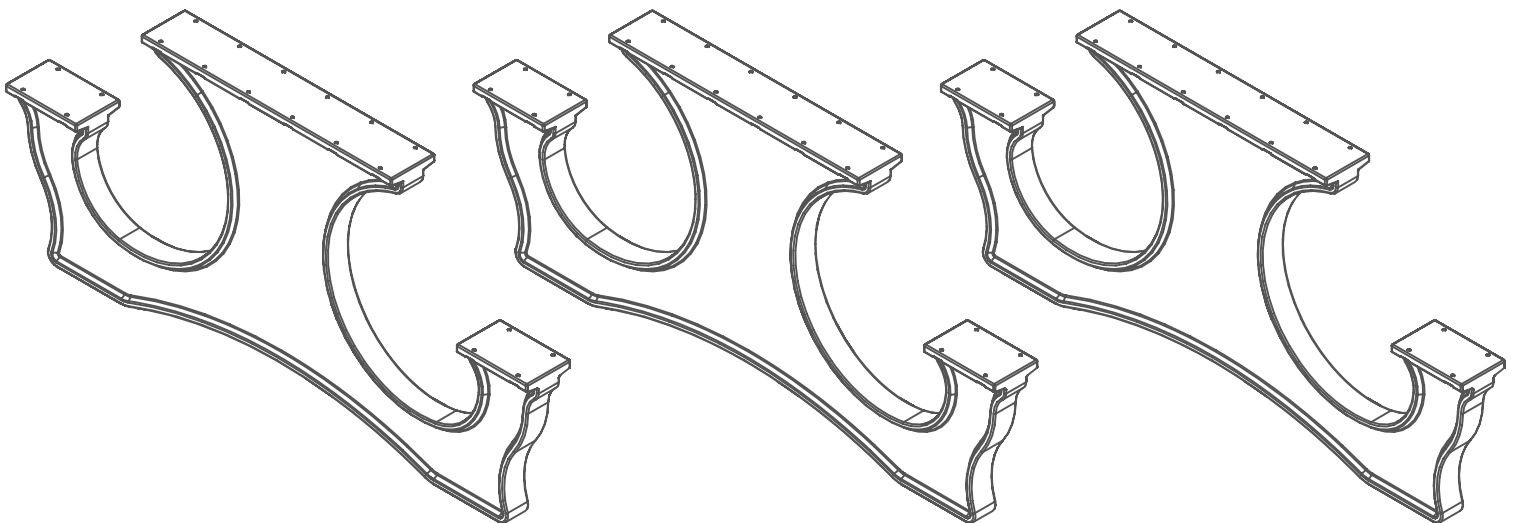


( 1 ) - One Table Top  
STSA-EA6-A-01

C - Molded Table Leg

C - Molded Table Leg

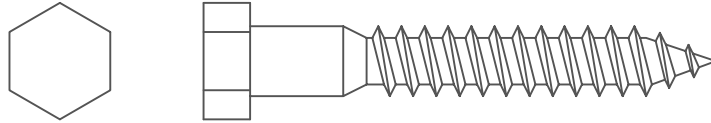
C - Molded Table Leg



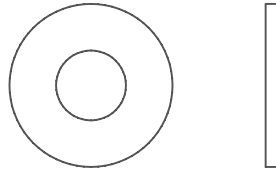
( 3 ) - Three Molded Table Legs  
PS-EA-A-01

Before assembly, please check to make sure all fasteners are included.

60 - 1/4" x 1-3/4" Hex Head Lag Bolt

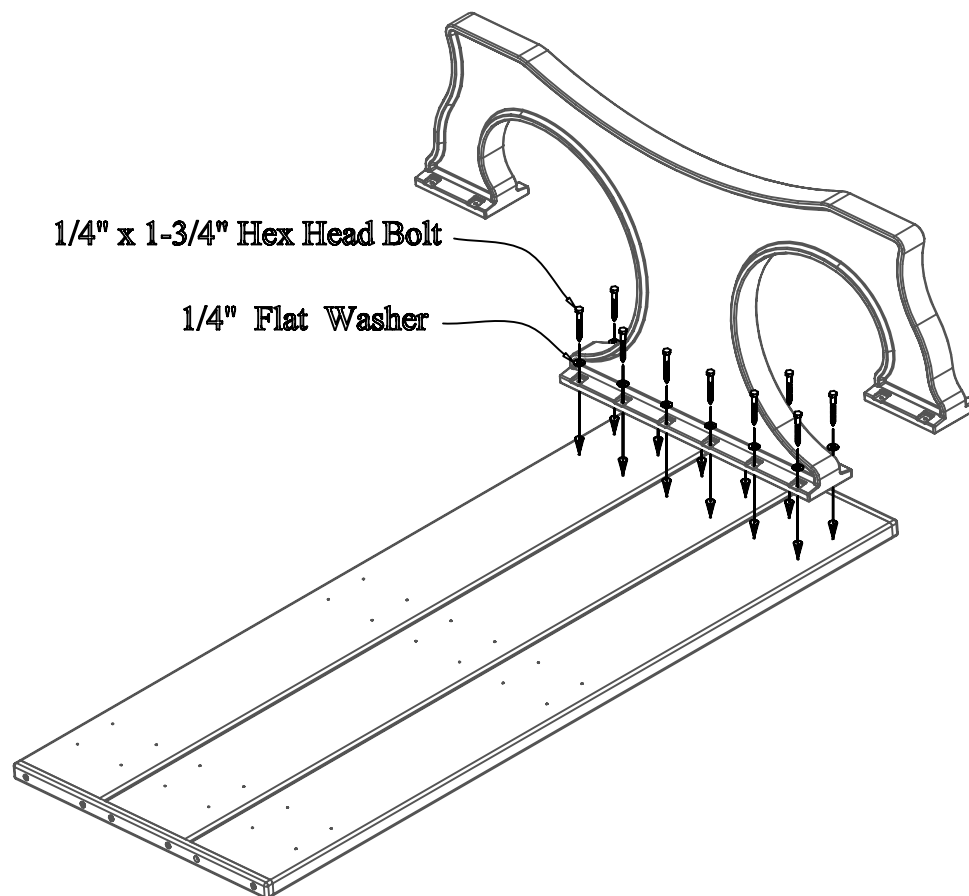


60 - 1/4" Flat Washer



Also needed for this assembly will be the following materials:

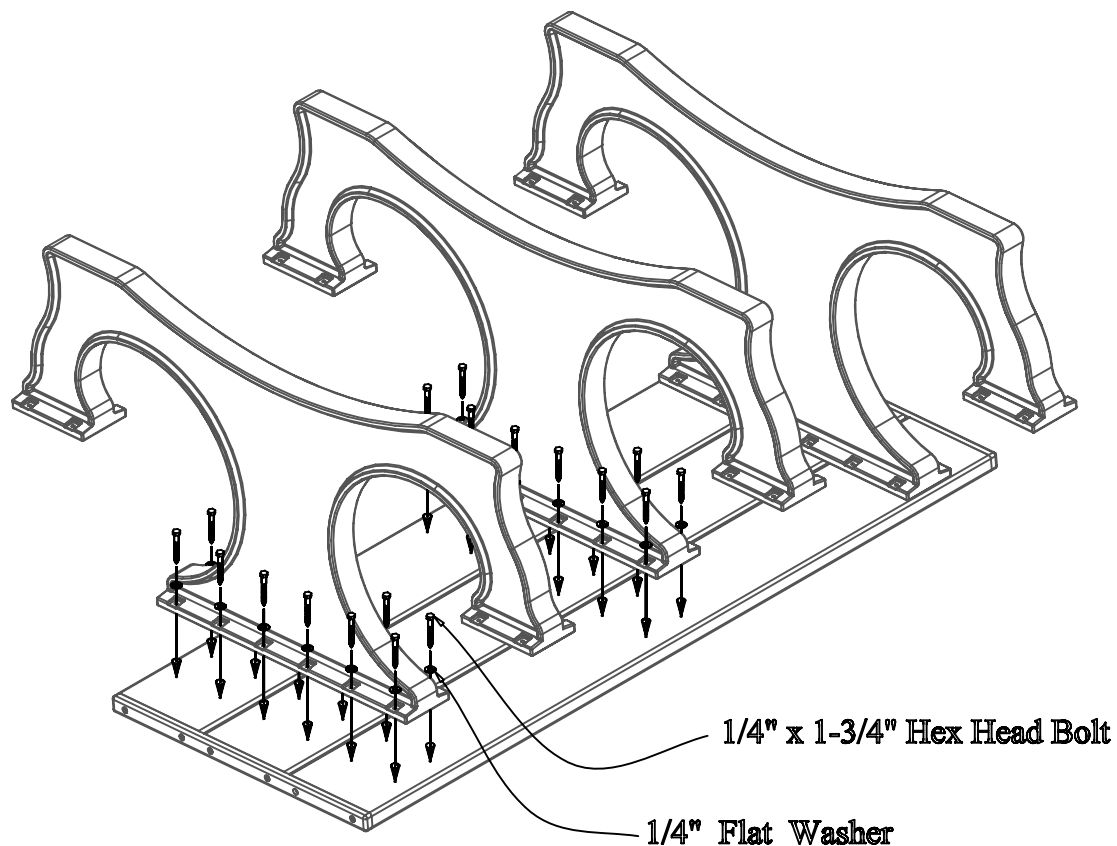
( 1 ) - 7/16 " Socket Wrench or 7/16" Box End Wench



### Step: #1

Place the Table Top assembly upside down onto a piece of cardboard or another soft level surface to protect it during installation. Place one Molded Leg on the Table top as shown above. Align the pre-drilled holes in the Molded Leg with the pilot holes in the Table top. Use ( 1 ) One 1/4" x 1-3/4" Lag Bolt and ( 1 ) - One 1/4" Flat Washer per hole to secure.

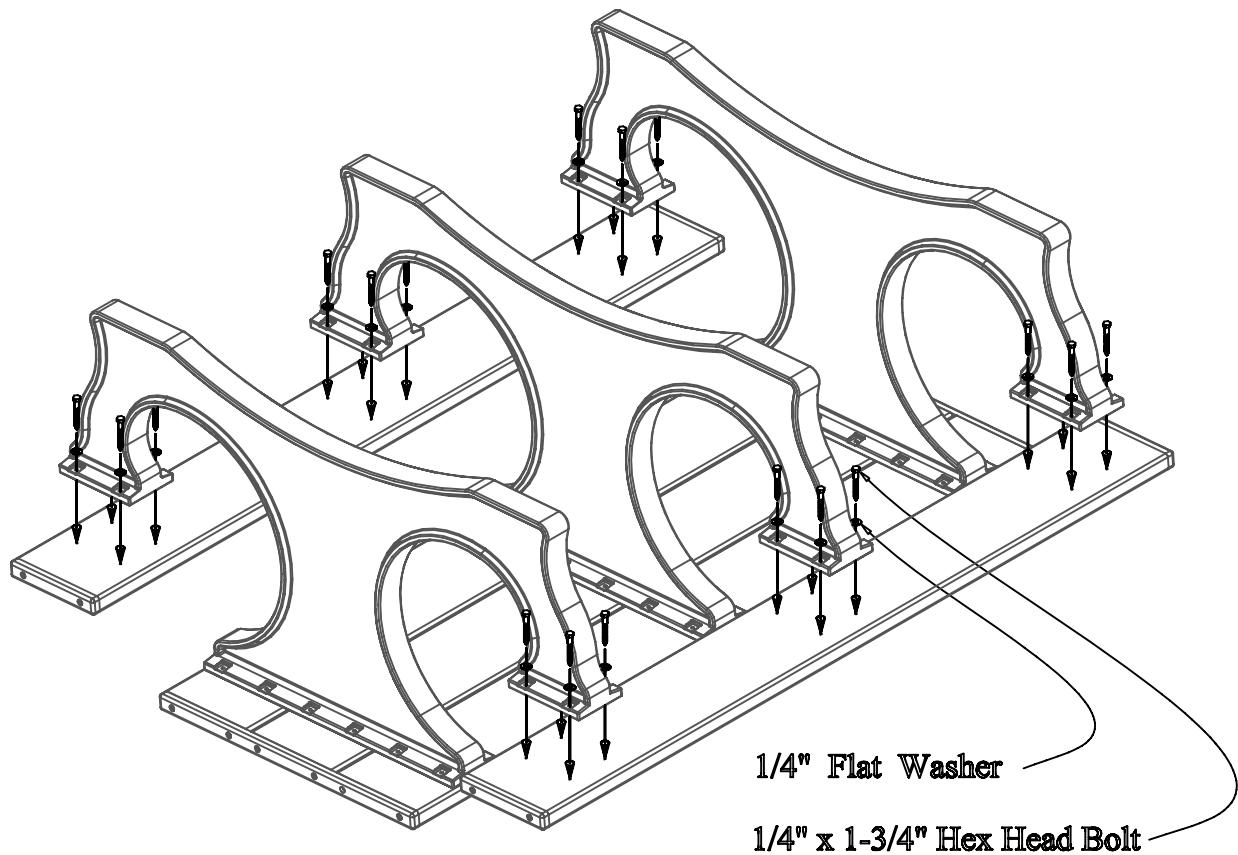
Note: Do not tighten bolts completely. This will be done in a later step.



## Step: #2

Place the remaining Molded Table Legs in position as shown above being sure to align the pre-drilled holes to the pilot holes in the Table top. After the holes are properly aligned, fasten with ( 1 ) - One 1/4" x 1-3/4" Lag Bolt and ( 1 ) - One 1/4" Flat Washer per hole to secure.

Note: Do not tighten bolts completely. This will be done at a later step.



### Step:#3

Place the Seat Boards in position as shown above being sure to align the pilot holes to the pre-drilled holes in the Molded Table Legs. After the holes are properly aligned, fasten with ( 1 ) - One 1/4" x 1-3/4" Lag Bolt and ( 1 ) - One 1/4" Flat Washer per hole to secure.

Note: Be sure to tighten all fasteners after completing this step. Please use caution to not over tighten the fasteners.